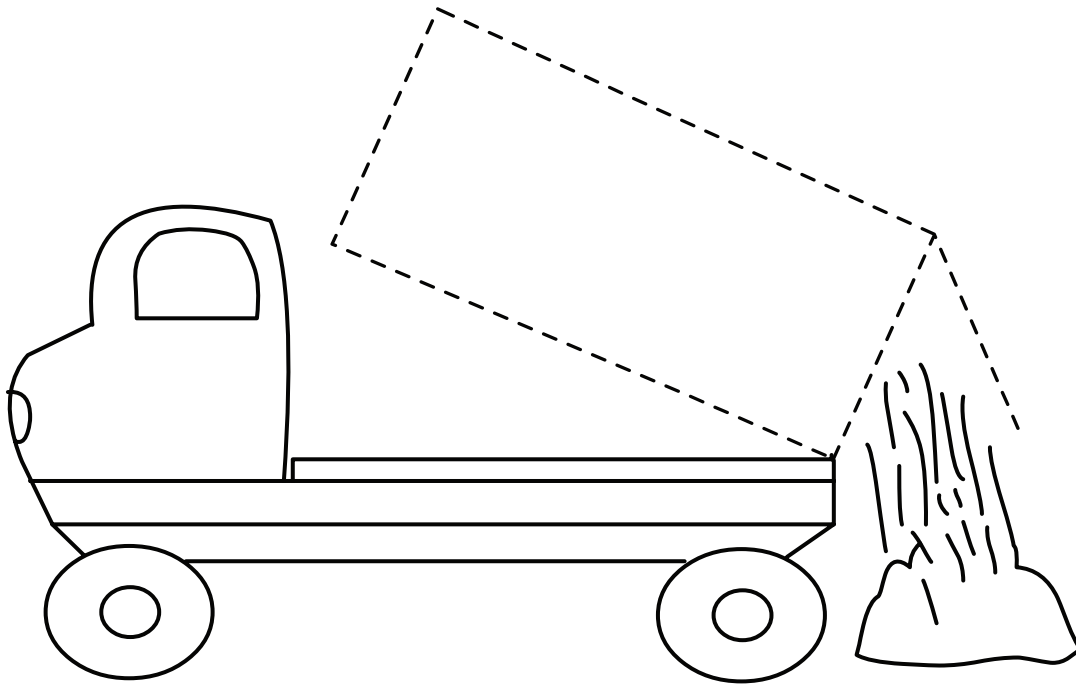
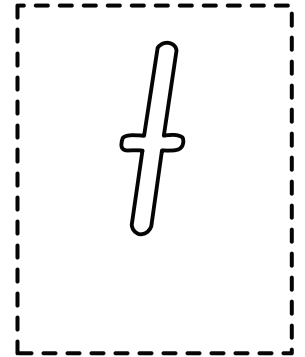
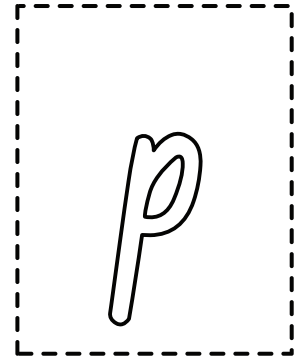
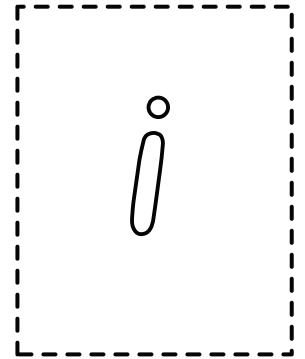


My name is: _____

Paste:

--	--	--

Write:



- 1) Cut out the letters.
- 2) Paste them in the right order in the boxes.
- 3) Write the word.
- 4) Trace the picture.
- 5) Colour.